

Contents	Page
Introduction	126
U-Clip	127
QuikLoc	128

Shaft / Spool Retaining Collars

Quick locking collars allow single handed fitting and removal without the need for tools.

Applications include the retaining of spools and general quick-release clamping requirements.

A wide range of both Metric and Imperial sizes are available in diameters from 6mm to 76mm and 1/4" to 3" \varnothing .



U-CLIP - Shaft Collar for Smooth Shafts / Tubes

U-Clip utilises a clamping ring which is offset to the shaft thereby providing clamping force.

Like a bushing the U-Clip is pushed forward against the component to be held and automatically locks into position. To release, just pull the clamping ring towards the user (UC8-16) or press the side button (UC20-22).

Advantages

- Usage on hardened and soft surfaces
- Self locking
- One hand operation
- Symmetrical design
- High self locking force
- Corrosion protected
- Resistant to vibration

UC8 - UC16

UC20 - UC35



Shaft

Tolerance of diameter: h6 - h9

Holding force

Specification refers to the use of surface hardened shafts with a hardness of min. 50 HRC.

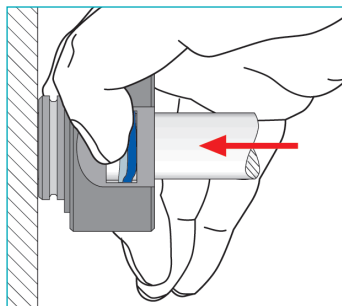
Operating temperature

max. +50°C

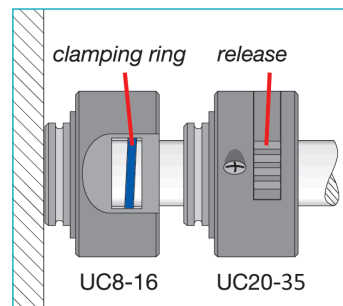
U-CLIP	Dimensions (mm)										O-Ring (not included)	Elasto-Ring (rubber support between UClip and package)			
	Order Ref.	ϕa	b	Shaft ϕ	h	i	d	ϕe	ϕf	ϕg	Holding force	Size	Type	k	ϕm
UC8	40	27.5	8	3.15	1.7	7	25	31	22.4	200 N	22 x 1.5	OR 1	10	40	24.9
UC10	40	27.5	10	3.15	1.7	7	25	31	22.4	250 N	22 x 1.5	OR 1	10	40	24.9
UC12	40	27.5	12	3.15	1.7	7	25	31	22.4	350 N	22 x 1.5	OR 1	10	40	24.9
UC15	40	27.5	15	3.15	1.7	7	25	31	22.4	350 N	22 x 1.5	OR 1	10	40	24.9
UC16	40	27.5	16	3.15	1.7	7	25	31	22.4	380 N	22 x 1.5	OR 1	10	40	24.9
UC20	55	32.5	20	2.65	1.7	7	30	37	27.4	320 N	27 x 1.5	OR 2	10	52	29.9
UC22	55	32.5	22	2.65	1.7	7	30	37	27.4	320 N	27 x 1.5	OR 2	10	52	29.9
UC25	84	45.0	25	3.50	2.2	9	50	56	47.4	420 N	46 x 2.0	OR 3	15	80	49.9
UC30	84	45.0	30	3.50	2.2	9	50	56	47.4	420 N	46 x 2.0	OR 3	15	80	49.9
UC35	84	45.0	35	3.50	2.2	9	50	56	47.4	420 N	46 x 2.0	OR 3	15	80	49.9

Order if required

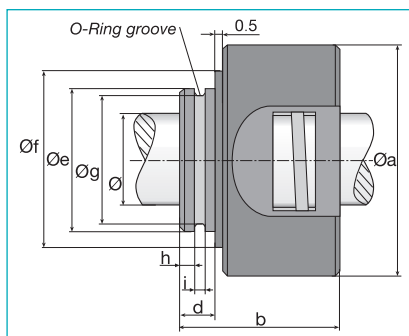
Push-On



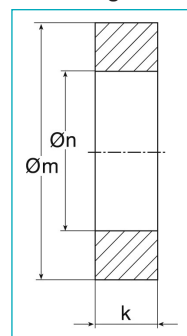
Pull-Off



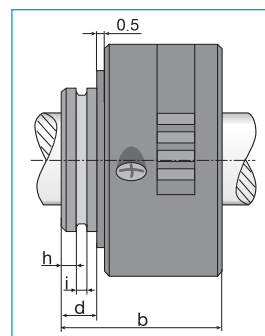
UC8 - UC16



Elasto-Ring



UC20 - UC35



Techna SHAFT / SPOOL RETAINING COLLARS

QUIKLOC - Shaft Collar for Smooth Shafts / Tubes

QuikLoc Shaft Collars give you instant reel or spool changeovers for almost every application.

Advantages

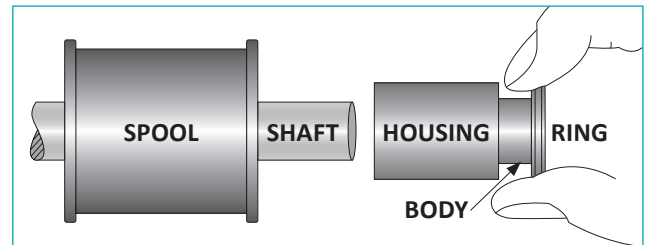
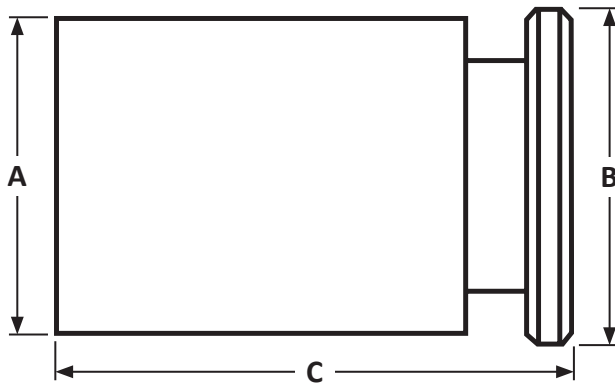
- Cuts changeover times up to 80%
- Holds reels and spools firmly in place
- Rugged, all-steel construction for long life
- Eliminates scored or chewed up shafts
- No tools to drop or lose
- Metric sizes fit shafts from 6mm to 76mm diameter
- Imperial sizes fit shafts from 1/4" to 3" diameter

Applications Include

- Wire & Cable
- Tap & Strip
- Ribbon & Braid
- Fabric & Paper
- Hose & Tubing
- Anything that is wound on or stripped from spools or reels



Dimensions



To Quickly Lock On Shaft:

Firmly grasp the ring section of the QuikLoc collar with your thumb and fingers. Draw it out of the housing. Slide the QuikLoc collar down the shaft and into position against the spool or reel, then release your thumb and fingers to lock in place.

To Quickly Slide Off Shaft:

Grasp the ring section with your thumb and fingers. Firmly draw the QuikLoc unit away from the spool or reel in one smooth motion. The collar will easily release and slide off the shaft quickly and safely.

Available QuikLoc models - Metric

Metric Models*	Dimensions			
Order Ref.	Description (mm)	A (in)	B (in)	C (in)
QL-6mm	6mm Shaft Collar	0.875	0.937	1.750
QL-7mm	7mm Shaft Collar	0.875	0.937	1.750
QL-8mm	8mm Shaft Collar	0.875	0.937	1.750
QL-9mm	9mm Shaft Collar	0.875	0.937	1.750
QL-10mm	10mm Shaft Collar	0.875	0.937	1.750
QL-11mm	11mm Shaft Collar	1.000	1.125	1.750
QL-12mm	12mm Shaft Collar	1.000	1.125	1.750
QL-13mm	13mm Shaft Collar	1.125	1.375	1.750
QL-14mm	14mm Shaft Collar	1.125	1.375	1.750
QL-15mm	15mm Shaft Collar	1.125	1.375	1.750
QL-16mm	16mm Shaft Collar	1.125	1.375	1.750

* Metric models are bored for metric shafts but use the same shell casing as the imperial parts.

Techna SHAFT / SPOOL RETAINING COLLARS

Available QuikLoc models - Metric (Continued)

Metric Models*		Dimensions		
Order Ref.	Description (mm)	A (in)	B (in)	C (in)
QL-17mm	17mm Shaft Collar	1.250	1.375	1.750
QL-18mm	18mm Shaft Collar	1.250	1.375	1.750
QL-19mm	19mm Shaft Collar	1.250	1.375	1.750
QL-20mm	20mm Shaft Collar	1.500	1.625	1.750
QL-22mm	22mm Shaft Collar	1.500	1.625	1.750
QL-24mm	24mm Shaft Collar	1.500	1.625	1.750
QL-25mm	25mm Shaft Collar	1.500	1.625	1.750
QL-26mm	26mm Shaft Collar	1.500	1.625	1.750
QL-27mm	27mm Shaft Collar	2.000	2.125	1.750
QL-28mm	28mm Shaft Collar	2.000	2.125	1.750
QL-29mm	29mm Shaft Collar	2.000	2.125	1.750
QL-30mm	30mm Shaft Collar	2.000	2.125	1.750
QL-32mm	32mm Shaft Collar	2.250	2.250	1.875
QL-33mm	33mm Shaft Collar	2.250	2.250	1.875
QL-35mm	35mm Shaft Collar	2.250	2.250	1.875
QL-36mm	36mm Shaft Collar	2.250	2.250	1.875
QL-37mm	37mm Shaft Collar	2.250	2.250	1.875
QL-38mm	38mm Shaft Collar	2.250	2.250	1.875
QL-38.5mm	38.5mm Shaft Collar	2.355	2.375	1.875
QL-39mm	39mm Shaft Collar	2.355	2.375	1.875
QL-40mm	40mm Shaft Collar	2.355	2.375	1.875
QL-45mm	45mm Shaft Collar	2.725	2.725	1.875
QL-50mm	50mm Shaft Collar	2.725	2.725	1.875
QL-54mm	54mm Shaft Collar	2.950	2.950	1.875
QL-55mm	55mm Shaft Collar	2.950	2.950	1.875
QL-56mm	56mm Shaft Collar	2.950	2.950	1.875
QL-70mm	70mm Shaft Collar	3.600	3.600	1.875
QL-73mm	73mm Shaft Collar	3.600	3.600	1.875
QL-76mm	76mm Shaft Collar	3.600	3.600	1.875

* Metric models are bored for metric shafts but use the same shell casing as the imperial parts.

Available QuikLoc models - Imperial

Imperial Models		Dimensions (in)		
Order Ref.	Description	A	B	C
QL00-1/4	1/4" Shaft Collar	0.875	0.937	1.750
QL00-5/16	5/16" Shaft Collar	0.875	0.937	1.750
QL00-3/8	3/8" Shaft Collar	0.875	0.937	1.750
QL00-7/16	7/16" Shaft Collar	1.000	1.125	1.750
QL00-1/2	1/2" Shaft Collar	1.000	1.125	1.750
QL00-9/16	9/16" Shaft Collar	1.125	1.375	1.750
QL00-5/8	5/8" Shaft Collar	1.125	1.375	1.750

Techna SHAFT / SPOOL RETAINING COLLARS

Available QuikLoc models - Imperial (Continued)

Imperial Models		Dimensions (in)		
Order Ref.	Description	A	B	C
QL00-11/16	11/16" Shaft Collar	1.125	1.375	1.750
QL00-3/4	3/4" Shaft Collar	1.250	1.375	1.750
QL00-13/16	13/16" Shaft Collar	1.500	1.625	1.750
QL00-7/8	7/8" Shaft Collar	1.375	1.625	1.750
QL00-15/16	15/16" Shaft Collar	1.500	1.625	1.750
QL01	1" Shaft Collar	1.500	1.625	1.750
QL01-1/16	1 1/16" Shaft Collar	2.000	2.125	1.750
QL01-1/8	1 1/8" Shaft Collar	2.000	2.125	1.750
QL01-3/16	1 3/16" Shaft Collar	2.000	2.125	1.750
QL01-1/4	1 1/4" Shaft Collar	2.000	2.125	1.750
QL01-1/4HD	1 1/4" Shaft Collar HD	2.250	2.250	1.875
QL01-5/16	1 5/16" Shaft Collar	2.250	2.250	1.875
QL01-3/8	1 3/8" Shaft Collar	2.250	2.250	1.875
QL01-7/16	1 7/16" Shaft Collar	2.250	2.250	1.875
QL01-1/2	1 1/2" Shaft Collar	2.250	2.250	1.875
QL01-17/32	1 17/32" Shaft Collar	2.355	2.355	1.875
QL01-9/16	1 9/16" Shaft Collar	2.355	2.355	1.875
QL01-5/8	1 5/8" Shaft Collar	2.355	2.355	1.875
QL01-11/16	1 11/16" Shaft Collar	2.355	2.355	1.875
QL01-3/4	1 3/4" Shaft Collar	2.275	2.275	1.875
QL01-13/16	1 13/16" Shaft Collar	2.725	2.725	1.875
QL01-7/8	1 7/8" Shaft Collar	2.725	2.275	1.875
QL01-15/16	1 15/16" Shaft Collar	2.275	2.725	1.875
QL02	2" Shaft Collar	2.950	2.950	1.875
QL02-1/16	2 1/16" Shaft Collar	2.950	2.950	1.875
QL02-1/8	2 1/8" Shaft Collar	2.950	2.950	1.875
QL02-3/16	2 3/16" Shaft Collar	2.950	2.950	1.875
QL02-1/4	2 1/4" Shaft Collar	3.205	3.220	1.875
QL02-3/8	2 3/8" Shaft Collar	3.600	3.600	1.875
QL02-1/2	2 1/2" Shaft Collar	3.600	3.600	1.875
QL02-5/8	2 5/8" Shaft Collar	3.600	3.600	1.875
QL02-11/16	2 11/16" Shaft Collar	3.600	3.600	1.875
QL02-3/4	2 3/4" Shaft Collar	3.600	3.600	1.875
QL02-7/8	2 7/8" Shaft Collar	3.600	3.600	1.875
QL02-15/16	2 15/16" Shaft Collar	3.600	3.600	1.875
QL03	3" Shaft Collar	3.600	3.600	1.875